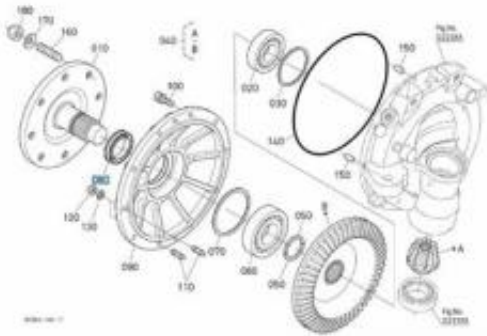


Link do produktu: <https://mark-rol.pl/pierscien-uszcz-kubota-m7060-przednia-zwolnica-p-1851.html>

## Pierścień uszcz. KUBOTA M7060 przednia zwolnica



Cena brutto	<b>148,68 zł</b>
Cena netto	<b>120,88 zł</b>
Dostępność	<b>Dostępny</b>
Numer katalogowy	<b>6A32056220</b>
Kod producenta	<b>AQ2869F NOK</b>
Kod EAN	<b>5900000177335</b>

### Opis produktu

Pasuje do: M4-063DTH(18 SPEED), M4-063DTHC(18 SPEED), M4-073DTH(18 SPEED), M4-073DTH(36 SPEED), M4-073DTHC(18 SPEED), M4-073DTHC(36 SPEED), M4062DTH(18 SPEED) M4062DTHC(18 SPEED), M4063DTH(18 SPEED), M4063DTHC(18 SPEED), M4072DTH(18 SPEED), M4072DTH(DUAL SPEED/36 SPEED), M4072DTHC(18 SPEED), M4072DTHC(DUAL SPEED/36 SPEED), M4073DTH(18 SPEED), M4073DTH(36 SPEED), M4073DTHC(18 SPEED), M4073DTHC(DUAL SPEED/36 SPEED), M5-082NC, M5-082NC F-SUS, M5-082NC(18 SPEED), M5-092N (18 SPEED), M5-092N (36 SPEED), M5-092NC, M5-092NC F-SUS, M5-092NC(18 SPEED), M5-102N (18 SPEED), M5-102N (36 SPEED), M5-102NC, M5-102NC F-SUS, M5-102NC(18 SPEED), M5-112NC, M5-112NC F-SUS, M5071N, M5071NC-EC, M5071NC-NEC1, M5072N-EC, M5072NC-EC, M5091NC-EC, M5091NC-NEC, M5091NC-PC, M5101NC-EC, M5101NC-NEC, M6040DTH, M6040DTHC, M6040DTHNB, M6060DTH, M6060DTHC, M7040DTH, M7040DTHC, M7040DTHNB, M7040DTHNBC, M7060DTH, M7060DTHC, M8540DTHNB, M8540DTHNBC, M9540DTHNBC(EC)